

Wet end – foundation for excellent paper quality

Voith Paper wet end process analysis



Your value

- + Increased productivity
- + Savings in production costs (fiber – energy – chemicals)
- + Improved paper quality
- + Reduced quality costs
- + Report with recommendations and priorities

Our experience – your value

The wet end process is the foundation for excellent paper quality. Having the best conditions between mixing chest and the first dryer cylinder are a precondition for good and stable paper quality. Faults and disturbances in the paper structure cannot be corrected in later process steps.

The stability analysis of the approach flow system is widely standardized and combines with the long-term experience of our Voith Paper service specialists to ensure effective trouble shooting.

Why Voith?

The identification and exact description of the problem is essential for successful wet end process analysis. Our worldwide service specialists have the right skills and long-term experience with the necessary measuring devices and analytic methods. The highest quality of analysis results from our service specialists using the Voith Paper design competence of stock preparation and paper machine equipment as well as benchmarking the data to many previous investigations.

On-site measurements

An analysis in the paper mill covers all process and production parameters that could be relevant for the occurring problem. Any detected parameters will be aligned with paper properties such as basis weight or ash content in order to identify periodical and random impacts. Process measurements will be

complemented by online transmission measurements and data from the machine’s quality control system. Our standardized analysis methodology allows the first feedback to be given on-site at the end of the service visit.

Measuring devices and sensors will be installed on-site by our service specialists. Sometimes it may be necessary to fit additional ball valves in the approach flow system in order to install all sensors during production. After the analysis, we will provide easy to read reporting with specific recommendations.

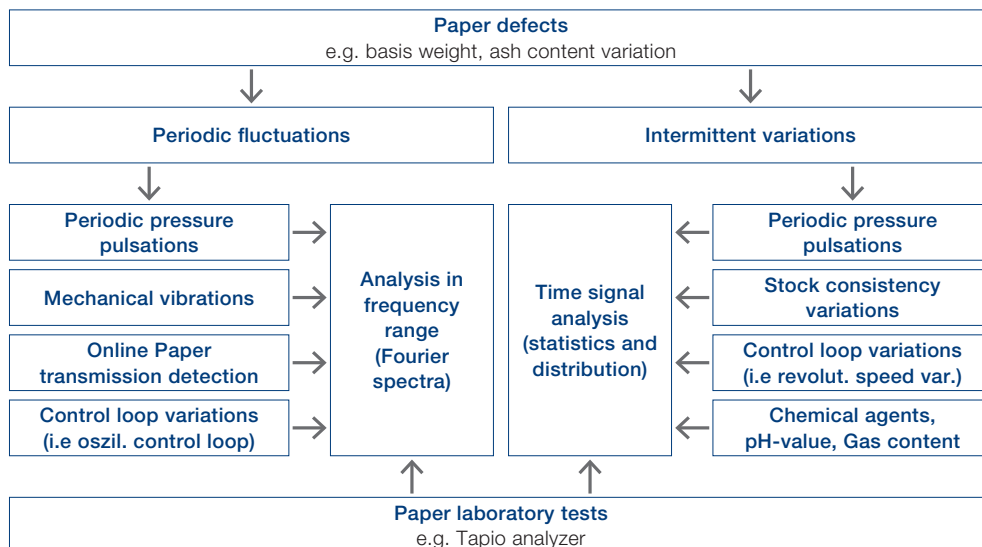
Our scope of service

- Measurement of pressure pulsations at defined sample points
- Measurement of consistency and ash content variations (fiber and ash retention)
- Measurement of rotational speeds (pumps, screens) – alignment with irregularities in the paper
- Measurement of rotational speed stability
- Vibration condition analysis at headbox and former
- Online paper transmission measurement
- Measurement of the gas contents (free; total)
- Report with prioritized recommendations

Optional

- Analysis of papermaking chemistry (pH, PCD, Zeta-potential, etc.)
- Analysis of the vacuum systems
- Paper profile analysis (Tapio PMA)

Wet end process analysis



The wet end process analysis is part of the comprehensive Servolution services portfolio



Equipment services

Installation & commissioning services

- Installation service
- Commissioning service

Maintenance

- Inspection
- Preventive maintenance
- Corrective maintenance
- Equipment improvement
- Repair & refurbishment

Materials

- Spare parts
- Wear parts & consumables



Process services

Audits

- Production line
- Maintenance
- Digitalization
- Energy
- Safety
- IT-Security

Expert support / consulting

- Smart monitoring
- Data analytics
- Condition monitoring
- Technology
- Maintenance
- Engineering
- Automation

Training

- Equipment
- Operation / Technology
- Safety
- Methodology

Measuring & diagnostics

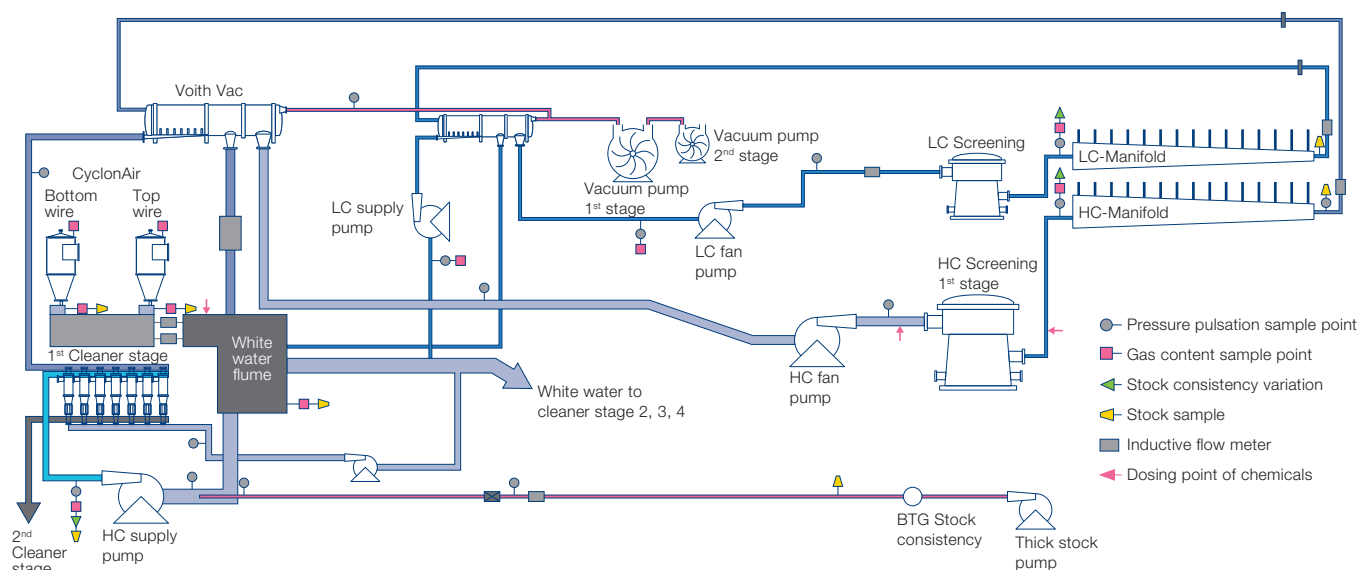
- 3D scan
- Alignment service
- MobiLab
- Paper moisture profile analysis
- Paper profile analysis (Tapio)
- Press load measurement
- SpeedUp certificate
- Vibration analysis
- Wet end process analysis



Remote tools

- Telephone support
- VPN support
- Video support
- Cloud service

Example of wet end flow sheet and sample points



Please click on this [link](#) or scan the QR code to visit our Measuring and Diagnostics Service website:



Voith Group
St. Poeltener Str. 43
89522 Heidenheim
Germany

www.voith.com

How can we support you?
Just contact us via our **webform**.



Contact:
Phone +49 7321 37-9255
paper@voith.com



VOITH