

## Engineered to Perform. Voith TurboBelt Hese Pulleys



**Voith TurboBelt Hese Pulleys have excellent running characteristics under extreme conditions such as heavy loading, heat, cold and humidity. They are an indispensable element in belt conveyors for material handling and are built to last.**

We offer efficient and technically optimized pulleys to meet your requirements. Designs and calculations are carried out individually and depend on the ambient conditions of the particular areas of application.

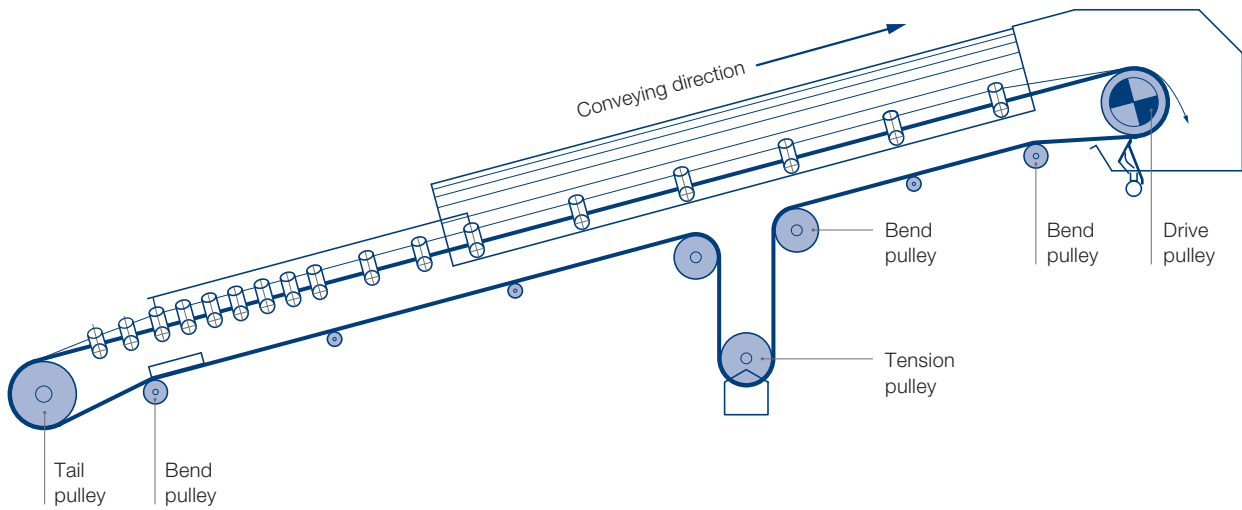
### Your benefits

---

- + Pulleys engineered for optimum operation of the conveyor
  - + Excellent running characteristics for high system availability
  - + Highest quality materials and components ensure long service life, up to 10 years
  - + Highest quality manufacturing
  - + Easy maintenance
  - + Explosion protection according to ATEX
-

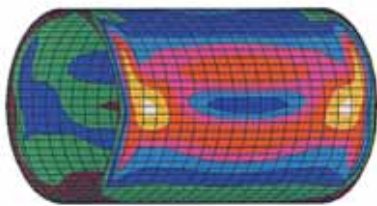
## Pulley product range

Voith offers all types of pulleys for use in belt conveyor applications



### Technical data

Pulley diameters	up to 3 000 mm
Pulley width	up to 6 000 mm
For loads	> 4 000 kN
Design	standard internal bottom as well as special high tension T-bottom design
Lagging	all rubber or rubber-ceramics



FEM calculation of a pulley

### Calculation and Engineering

We have developed our own software for the calculation and engineering of our belt conveyor pulleys. It is based on our long-term experience and various tension and deformation analysis carried out via FEM. Our software ensures reliable dimensioning and design of conveyor pulleys. Our analysis provides an optimized pulley configuration for your requirements.

Voith Turbo GmbH & Co. KG  
Material Handling  
Rheinstraße 46  
45478 Mülheim an der Ruhr, Germany  
Tel. +49 7951 32-1081  
Fax +49 7951 32-480  
material-handling@voith.com  
www.voith.com/material-handling

**VOITH**  
Engineered Reliability