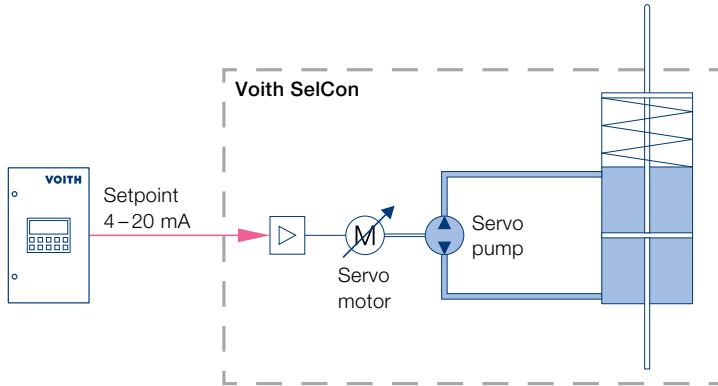




Self-contained and fail-safe SelCon electrohydraulic linear actuator

With the SelCon linear actuator, you can regulate valves precisely and in a highly dynamic way – without a hydraulic power pack and with a trip function. This is a Plug & Play solution that can be easily integrated in your system.

Control schematic and technical data



Effective force	up to 500 kN [112 000 lbf]
Stroke	≤ 300 mm [11.8 in]
Positioning accuracy	± 10 µm [0.4 mil]
Trip time	≤ 300 ms
Supply voltage	3 x 207–528 VAC, 50/60 Hz
Explosion protection	optionally

Closed hydraulic system

Due to the closed hydraulic system, a dirt or water induction is nearly impossible. The operation of the SelCon is low-wear and the costs of maintenance are very low.

- You save the procurement and maintenance costs required for an external hydraulic power pack with an oil tank and the pipework.
- The availability of your plant increases. That improves productivity and ultimately your bottom line.

Position control via servo motor and servo pump

This type of position control (displacement principle) is highly energy-efficient, while the level of heat introduced to the system remains low.

- You save up to 50 % on energy costs.
- With lower CO₂ emissions, you play your part in protecting the climate.

Modular design

The modular design of the linear actuator enables very flexible integration in the control system.

- You get an optimum drive solution for a new plant or for the modernization of existing equipment.
- Integration in your system is simple, quick and cost-effective.

Fail-safe design

In the event of a malfunction, an integrated spring assembly closes the control valve in less than 300 ms. The safety function (tripping) and the operating function (control mode) are decoupled.

- Your system has a high degree of operational reliability.
- A reliable trip of the control valve reduces the danger of immediate and consequential damage.

Voith Digital Solutions GmbH
Actuators and Governors
Voithstr. 1
74564 Crailsheim, Germany
Tel. +49 7951 32-470
Fax +49 7951 32-605

turcon@voith.com
www.voith.com



VOITH
Inspiring Technology
for Generations