



EcoStart™

Hydraulic starter for engines

Introducing the new emission free and safe starting device for reciprocating engines – available only from Voith and Reciprocating Technology Services (RTS).

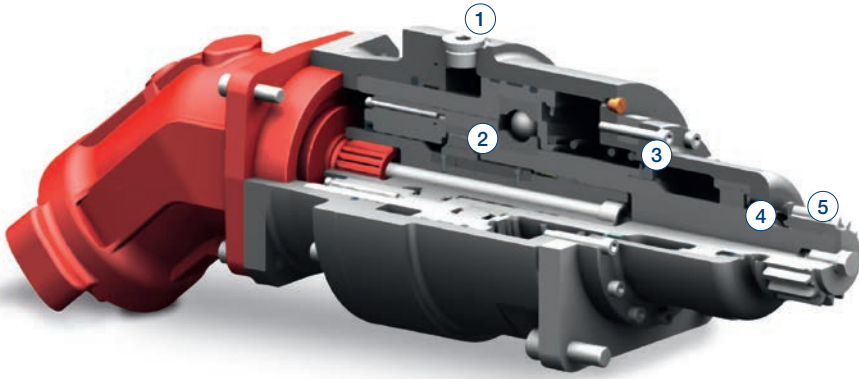
As the only hydraulic starter for gas compression engines in the range of 300–11,000 HP, EcoStart combines ultimate reliability and advanced features, like zero emission starting, to meet increasingly stringent environmental regulatory mandates.

Designed to your specific starting needs, EcoStart offers a short starting frequency for greater capacity, and slow roll and soft start capabilities for reduced maintenance and improved safety.

EcoStart overview

- Improved starting capacity/frequency as hydraulic system often recharges within minutes
 - Slow roll and soft start capability reduces engine maintenance and improves safety
 - Zero emission engine starting reduces noise and pollutants
 - Startup of integral compressor engines from 300–11,000 HP
 - Implementation with RTS
-

Inside the EcoStart hydraulic motor



- 1 Engagement pressure connection
- 2 One way clutch
- 3 Disengagement spring
- 4 Engagement spring
- 5 Pinion

One skid for multiple engines

EcoStart comprises a modular skid with all required components to control and distribute the hydraulic starting energy to multiple engines from a single installation:

- Oil supply
- Electric motor
- Integral gear pump
- Controller
- Actuators, valving and flanging

Options

- Redundant motors and pumps if required
- Auxiliary drive (e.g. pre-lube pump)

Service – Voith & RTS

With the backing of Voith's 150 years of experience in rotating equipment and RTS's 35 years of service excellence, you can expect unsurpassed performance and reliability. Plus, parts are readily available within 24 hours, ensuring quicker maintenance and minimal downtime.

Benefits

- **Zero emission starting**
- **Slow roll function**
- **Short starting frequency within minutes depending on design**
- **Designed to your specific starting needs (e.g. 3 starts at 30 seconds each)**
- **Easy to install with a 50 % smaller footprint compared to other technologies**
- **Black start ability ensures hydraulic charge is retained if power loss occurs**
- **Remote control/operation—full integration with engine and station control architecture**
- **Rugged construction allows unit to be placed indoors or outdoors (Non-Ex and ExProof designs)**

Voith Turbo Inc.
25 Winship Road
York, PA 17406
Tel. 717-767-3200
Fax 717-767-3210
www.voithusa.com

vti-information@voith.com
www.voith.com/ecostart



VOITH
Inspiring Technology
for Generations